

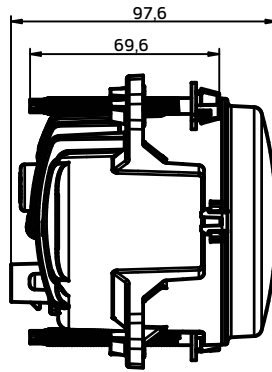
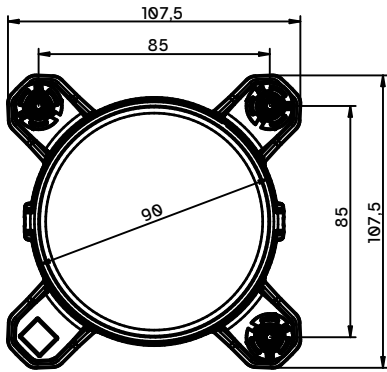


Bi-LED Headlight 90mm ECE R112

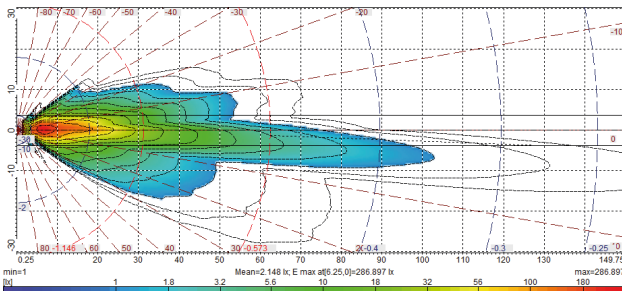


Bi-LED Headlight

Catalog number:	OE1182003541
Functions:	low beam and high beam
Model:	Mercury
Source of light:	LED in RFT Technology
Dimensions:	Ø90x98 mm
Voltage:	12/24 V
Power:	15 W / 23 W
Connection:	Supereal 3 pin
IP rating:	IP69K
Approvals:	ECE R10, R112



Low beam diagram



High beam diagram

